

ÇUKUROVA

“Reaching Further..”

Backhoe Loaders 880



Features

Powerful Engine

Powering it with PERKINS 1104C-44T Tier II or PERKINS 1104D-44T Tier III turbocharged diesel engine which offers world-class performance and complies with all relevant environmental regulations. Its low fuel consumption and maintenance costs make the 880 even more attractive.

Drive Train

Powershuttle gearbox with four forward and four reverse fully synchronized gears. Providing smooth shifting, hill climbing capability easy to operate. Electro-hydraulic selection of 2WD and 4WD can be done by a switch located on control panel.

Optimum Weight Distribution

The new generation Cukurova Backhoe Loaders are designed to have Optimum Weight Distribution giving safe, stable steering on the highway and provides a solid digging platform.

Improved Backhoe Performance

The standard 600 mm backhoe bucket coupled with the compact, powerful backhoe, means higher cycle and maximum output.

Single Cylinder Loader Design

Super bucket visibility over and around raked hood; Reduced maintenance (fewer links and pins); Increased bucket breakout as full cylinder diameter is used; Over designed pins beam structure.

CE marked - All safety measurements are taken through the Machinery Directives 2006/42/EC





Roomy ROPS/FOPS Cab

Specially designed ROPS/FOPS cab provides perfect operating comfort, excellent visibility with tinted safety glass.

A well designed dash within reach

Sitting in the driver’s seat is a lot like sitting in a automobile. The tiltable front dash provides all switches and controls to be closer to the driver. There’s no stretching, so there’s less fatigue.

On right side dash, a large, easy-to-read, standard operator display features a maintenance indicator, hour meter, fuel level gauge, engine oil temperature gauge, engine rpm to name a few.

Steering Column

The steering column can be adjusted to an infinite amount of positions for maximum comfort, increased belly room and improved visibility of all indicators by simply pressing the quick-release foot pedal.

Dash Finishes

The dash comes nicely appointed in two finishes.

Easy Cab Entry

Sculpted, self-cleaning steps and a full-size grab bar provide an extra measure of safety getting in and out of the cab. Partial opening of cab doors



Serviceability

Three-pieces engine hood


Aerodynamic hood design provides operator to access all the necessary maintenance points easily and quickly thus spending less time and effort.



Engine

- Heavy duty desing, high torque capability, powerful PERKINS engine.
- Impressive low speed torque to deliver improved machine response.
- ECC filtration system provides high quality construction with a re-usable canister, a disposable inner element and a simpler service process.
- Low fuel consumption and low maintenance cost.
- Environmental
- Dry type air cleaner with primary and safety elements.

Engine

Make	Perkins		
	Stage-II	Stage-III A	Stage-IV
Model	1104C-44T	1104D-44T	54F-E34TA
Type	4 stroke diesel, turbo charged		
Rated power	100 hp / 74,5 kW	94 hp / 70,0 kW	94 hp / 70,0 kW
Rated Speed	2200rpm	2300rpm	2200rpm
Displacement	3,4 L.		
Bore and Stroke	105 x 127 mm	105 x 127 mm	99 x 110 mm
No of Cylinders			4
Max. Torque	408 Nm	392 Nm	395 Nm
Cooling	Water cooled engine oil radiator		

Electrical system

Battery	12V / 120 Ah
Starter	3,2 kW

Steering

- Hydrostatic power steering.
- Load sensing system.

SteeringType	2 Wheel
Power Steering	Hydrostatic

Turning Circle (without brakes)	
Outer Front Tire Clearance	7900 mm
Outer Loader Bucket Clearance	11400 mm



Hydraulic System

- Cushioned Swing provides maximum operator comfort for fast and smooth trenching

System type	Open center
Hydraulic pump	Tandem gear
Max. Flow	79 + 57 l/min
Max. Press.	220 bar

Controls	
Backhoe controls	Mechanical control levers
Loader control	Mechanical control lever



Drive Train

Transmission:

- 2 Wheel Drive (4WD optional)
- Carraro Powershuttle transmission.
- Low noise and low internal speeds.

Make	Carraro
Type	Powershuttle
Transmission disconnect	With brake system

Travel Speeds

1st (forward/reverse)	5,80 / 5,80 km/h
2nd (forward/reverse)	9,30 / 9,30 km/h
3rd (forward/reverse)	21,40 / 21,40 km/h
4th (forward/reverse)	40,00 / 40,00 km/h

Axles:

Carraro Front Axle

- High input torque with outboard planetary design.
- Ease of operation with hydrostatic steering system even under high load conditions.
- 16° total oscillation on front axle.
- 52 degrees steering angle for perfect maneuverability.

Carraro Rear Axle

- High input torque with outboard planetary design.
- Electro-hydraulically operated differential %100 locking acts on rear axle.
- Self adjusting high torque internal wet multi disc service brake.



Brakes:

- Internal with disc brakes.
- Hydraulically foot operated service brake two pedals acted on four wheels.

Service type	Hydraulic wet multi-disc
Parking type	Mechanical control on rear axle

Loader Attachment

Shovel Capacity	1,0 m ³
Breakout Force Lift	47 kN
Breakout Force Shovel	44 kN
Shovel Width	2230 mm
Lift to full height	3015 kg

Backhoe Attachment

Max. Bucket Tearout	44 kN
Dipper Tearout	30 kN
Bucket Capacity	0,2 m ³
Bucket Width	600 mm

Cab

- Specially designed ROPS/FOPS cab provides perfect operating comfort, excellent visibility, and reliability.
- Full-opening of rear side windows, partial and full-opening of the doors provide superior fresh air circulation in the cab, tinted safety glass improves visibility and sun visor protects operator against strong sunlight and ensures clear vision.
- Seat; adjustable to operator's weight.
- Front and side control panels are fully equipped with the latest technology, the arrangement of controls are within easy reach, the audible and visual warning on main function guide operator for failure and adjustable steering column as standard gives extra driving comfort to the operator.

Tyres

2WD (Standard)

Front	9,0 / 16
Rear	16,9-28

4 WD (Optional)

Front	12,5/80-18
Rear	16,9-28

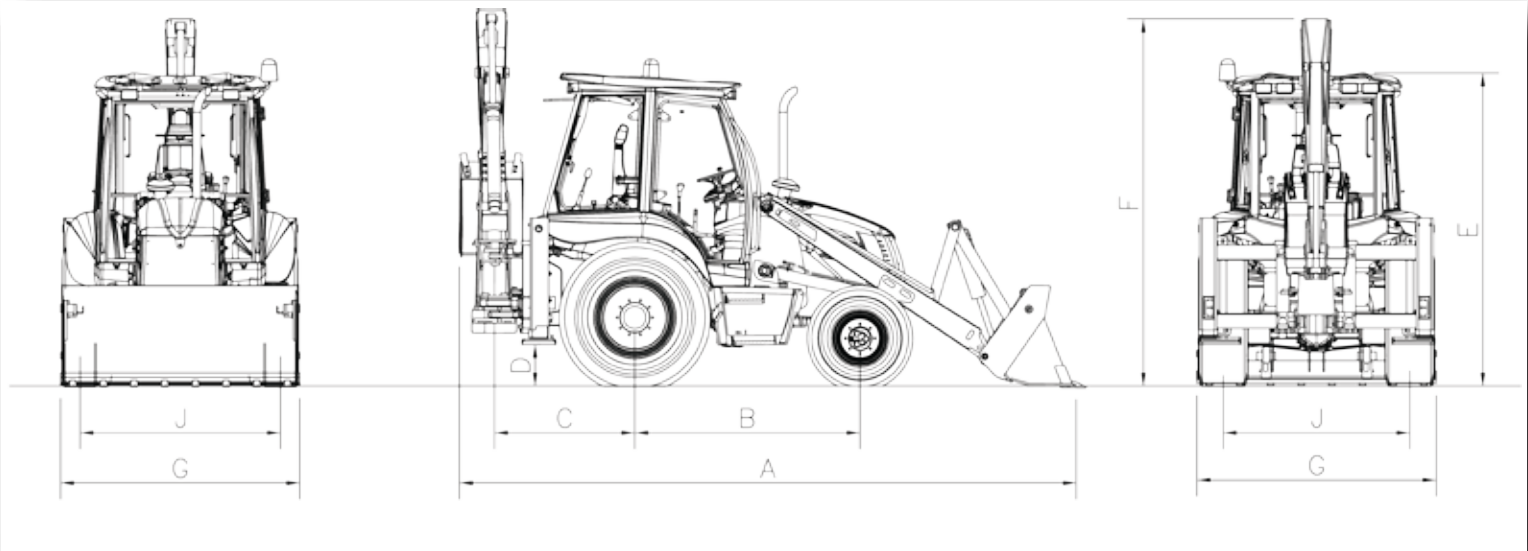
Weights

Operating Weight	6600 - 8500 kg
------------------	----------------

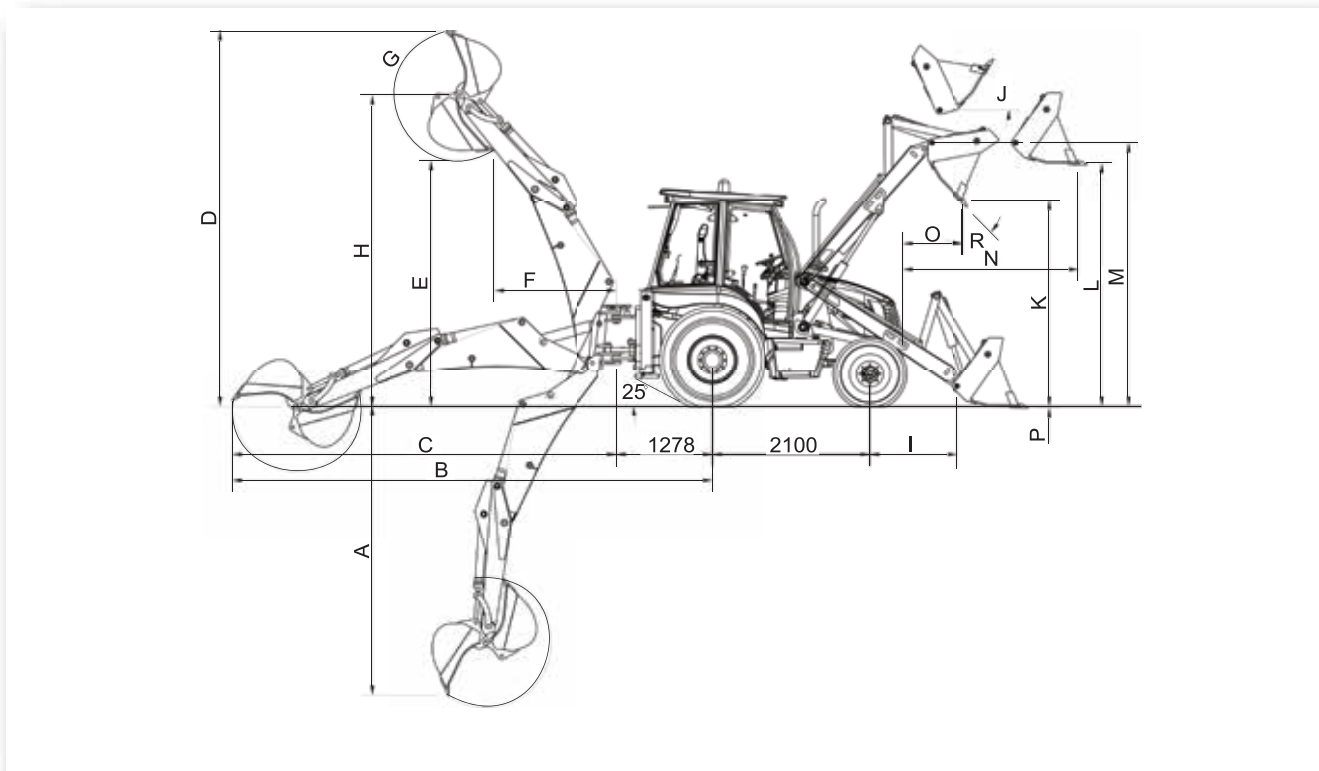
Capacities

	Liters
Engine Oil	8,4
Cooling System	23,0
Fuel Tank	140,0
Hydraulic Tank	75,0
Hydraulic System	125,0
Front Axle	8,3
Rear Axle	15,5
Breake Oil	0,4

TECHNICAL SPECIFICATIONS



A- Overall Machine Length	5710 mm	F - Machine Maximum Height	3553 mm
B- Wheelbase	2100 mm	G- Machine Width	2209 mm
C- Backhoe Swing Centre Distance	1278 mm	H- Overall Width - with Bucket	2230 mm
D- Minimum Machine Height	400 mm	J - Rear Wheel Track	1740 mm
E- Cab Height	2830 mm	K - Front Wheel Track	1870 mm



Backhoe Dimensions

	Retracted	Extended
A - Max. Digging Depth	4005 mm	4805 mm
A ¹ - Max. Digging (Optional)	4600 mm	5800 mm
B - Max. Reach From Rear Axle Center	6440 mm	7173 mm
C - Max. Reach From Swing Center	5162 mm	5895 mm
D - Max. Digging Height	5015 mm	5515 mm
E - Max. Dumping Height	3275 mm	3810 mm
F - Loading Reach	1750 mm	2372 mm
G - Bucket Rotation Angle	200°	200°
H - Max. Bucket Hinge pin Height	4150 mm	4678 mm

Loader Dimensions

I - Distance Between Hinge Pin and Front Axle Center	1163 mm
J - Max. Rollback angle, fully raised	59°
K - Dump Height	2740 mm
L - Loadover Height	3230 mm
M - Height to Hinge Pin	3500 mm
N - Max. Reach at Full Height	1200 mm
O - Dumping Reach	790 mm
P - Digging Depth	100 mm
R - Dump Angle	45°

- Illustrations and data may differ from standard equipment.
- Specifications are subject to change without notice.
- See your ÇUKUROVA dealer for available options.

Standard Equipment Engine System

- Air cleaner, dry type and radial seal
- Air filter condition indicator lamp
- Starting system thermal aid
- Turbocharged

Electrical System

- Alarm, Backup
- Battery, 12 V, 120 Ah
- Front headlights
- Master switch
- Visual and audible warning systems on main functions
- Warning horn

Drive Train

- Electro-hydraulic differential lock
- 2 WD
- 40 kph Transmission

ROPS/FOPS Cab

- Adjustable seat with seat belt and armrest
- Adjustable steering column
- Cab recirculating fan
- Cigarette lighter
- Front windshield washer and wiper
- Fully equipped instrument panel
- Heater

- Left-right side doors with locks
- Mirrors, exterior (2), interior (1)
- Rear windshield wipers
- Rotating beacon (detachable)
- Steering wheel spinner knob
- Sunvisor
- Tinted glass
- Tool box, internal
- Ventilation openers
- Working lights, 2 front and 4 rear

Attachments, Front Loader

- General purpose bucket
- Loader arm safety strut



Attachments, Backhoe

- Electro-hydraulic side shifting lock
- ISO pattern controls
- Swing and Boom transport lock with mechanical control from the cab
- Standard-duty bucket (600 mm)
- Stabilizer safety check valves

Optional Equipment

Attachments, Front Loader

- Bolton segment
- (EHSS) Electro Hydraulic Suspensions System
- Fork attachment
- Loader Quick Coupler

- Multipurpose bucket
- Safety check valves
- Snow Plough

Attachments, Backhoe

- Auger
- Backhoe Quick Coupler
- Compactor
- Different size of backhoe buckets
- Grading Bucket
- Grapple
- Hydraulic hammer piping
- Hydraulic hammer
- Safety check valves
- Trapeziodal Bucket
- Telescopic boom

Others

- Air pre cleaner
- Air condition
- Engine, Tier III
- Fuel Pre - Heater
- Hydraulic system
- 3rd Fuel filter
- 4 WD Drive Train

ÇUKUROVA

“Reaching Further...”



With a keen awareness of its international positioning, as a pre-requisite of success and growth in a truly global era, Cukurova Makina manages collaborations with leading international partners in Turkey and abroad aiming at long-term benefit of our customers, business partners and staff. These cooperative efforts aim to achieve the highest quality of products and service delivery by Cukurova Makina where it has presence in global.

Notes:

- 1- The products in this catalogue are CE marked, all safety measurements are taken through the Machinery Directives 2006/42/EC
- 2- Illustrations and data may differ from standard equipment.
- 3- Specifications are subject to change without notice.
- 4- See your ÇUKUROVA dealer for available options.