

>>>>
WX SERIES

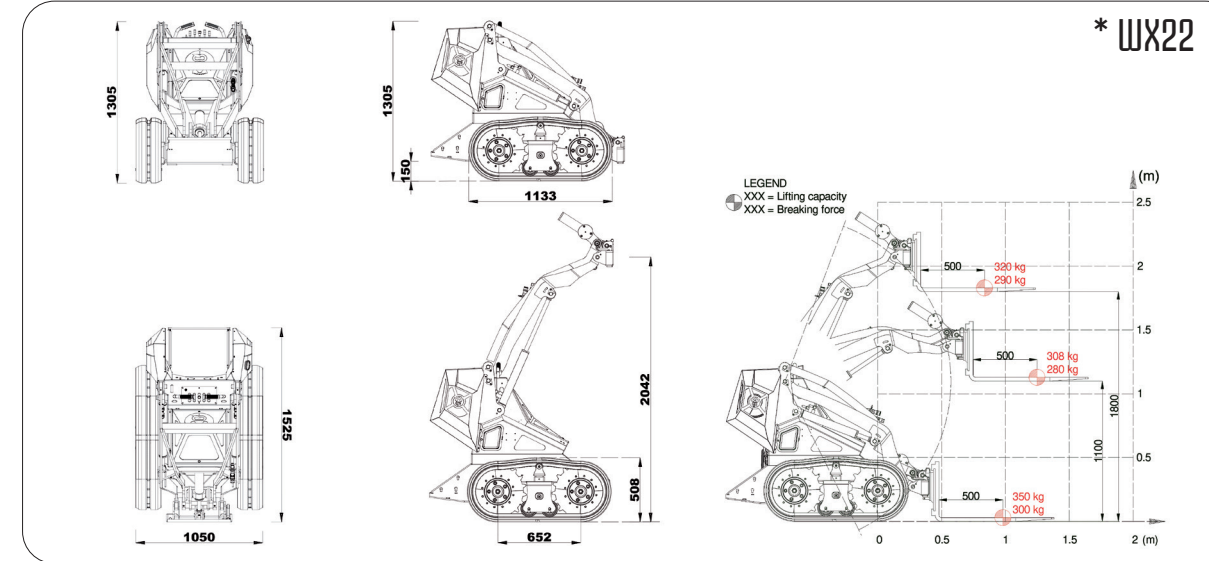
WORKYQUAD



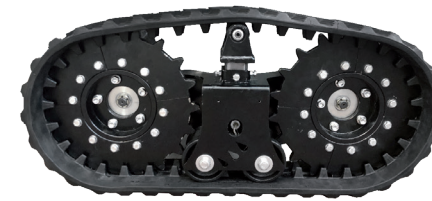
WX SERIES



DIMENSIONS AND LOADING DIAGRAM*



TRACKS



Rubber tracks with all-trac tread pattern.
Track module driven by a direct drive system by means of two steel toothed wheels.
Less pressure on the ground and greater grip, reduced resistance to advancement (rolling friction).
Better buoyancy with consequent reduction of the risk of sinking on soft ground.

WX SERIES

	LIFTING CAPACITY	ENGINE POWER	HYDRAULIC SYSTEM	BOOM HEIGHT
WX 22	350 Kg (with counterweights)	22,1 Hp	35 l/min	2042 mm
WX 15	340 Kg (with counterweights)	14,8 Hp	25,6 l/min	2042 mm
WX ECO	450 Kg (with counterweights)	5,7 Kw	18,5 l/min	2042 mm

WORKYQUAD MINILOADERS

CAST GROUP SRL
Via A. Meucci, 18 I-30035 MIRANO VE
ph. +39041 5701827 fx +39041 5726786
info@cast-group.it

LEAF_WX_ENG_09/2021

Data contained in this document is subject to change without notice and/or modification.
Cast Group reserves the right to modify its products without obligation to communications. The images in this document are only a demonstrative purpose.

WORKYQUAD >>>>

WX SERIES



WX22
WX15
WX ECO

en

www.workyquad.it



>>>>
WX SERIES

WORKYQUAD



The WorkyQuad series is enriched today with a new tracked version. WX SERIES is available in the WX22, WX15 Models and WX ECO, the Zero Emission skid loader. Practicability, robustness and mobility make WX SERIES great and versatile product machines, able to juggle on every type and condition of terrain. WX SERIES was developed for the demanding professional who has to move in small spaces and at the same time possess a reliable machine, small in size but with great performances.



BOOM
High strength steel boom. Double cylinder lifting system.

TRACKS
Rubber track with improved grip and all-trac tread pattern.



FUEL TANK
Integrated tank with 25 liters capacity.

Improved grip track system.
WX22

Honda engine GX690, displacement 688 cc.
Number of cylinders: 2
Start-up: electric
RPM: 3600
Cooling: air cooling
Fuel: petrol Euro 95
Fuel tank capacity: 15 liters
Drive system: hydrostatic 4WD
Oil tank capacity: 44 liters
Steering: skid
Weight: 830 Kg

WX15

Kubota engine Z602, displacement 599 cc.
Number of cylinders: 2
Start-up: electric
RPM: 3200
Cooling: liquid cooling
Fuel: diesel
Fuel tank capacity: 25 liters
Drive system: hydrostatic 4WD
Oil tank capacity: 25 liters
Steering: skid
Weight: 884 Kg



Agriculture
Breeding
Green maintenance
Building
Road maintenance



WX ECO

Engine: permanent magnets
RPM: 2500
Type of battery: traction battery
Battery capacity / voltage: 240 Ah / 36V
Drive system: hydrostatic 4WD
Oil tank capacity: 17 liters
Steering: skid
Weight: 1050 Kg

ZERO EMISSION

THE ENVIRONMENT THANKS.

The electric version of the WX series respects the environment. Zero emissions, for cleaner air and ecological batteries with improved safety, free from liquid leaks. Charging times are approximately 7 hours, while the charge autonomy at average working regime is around 7/8 hours.