



Tractors Built for the Best™

**AGRICUBE**

**Tractors for Specialists**

**Low Orchard**



# Agricube

## Low Orchard



- › The new Low Orchard joins the family of tractors with the Tre Cavallini Carraro trademark in its own right, further enlarging the already wide range of models: Vineyard, Wide Vineyard, Orchard and Light Utility.
- › Available with two different FPT engines, 80 HP or 90 HP, 4 turbo cylinders, 3,200 cc, this new agricultural tractor answers the needs of those who work in environments such as vineyards with hanging vine type cultivation, greenhouses, nut groves, olive groves and low trees in general.
- › With 4WD front axle and 24 Fw + 24 Rw power train with mechanical reverser and mechanical HI-LO, and Carraro synchronisation, the new Low Orchard tractor is available with 24" or 20" rear tyres.
- › In both versions, the maximum speed is 40 km/h, for full efficiency even when travelling between sites.

# Agricube Features

## Low Orchard



### Right side boarding

- › The particular care taken in the ergonomic design has created simple, unobstructed access to the driver seat, making climbing aboard the tractor and getting off both quick and easy.



### Driver seat

- › The ergonomics of the driver position and the tractor layout have been designed to the smallest detail to combine reliability and comfort with the special needs of the low driver seat, leaving the driver ample room for manoeuvring.

# Agricube Features

## Low Orchard



### **Dashboard and steering wheel**

- › The steering wheel is perfectly aligned with the hood, guaranteeing the low profile.
- › Excellent visibility of the display and access to the controls.

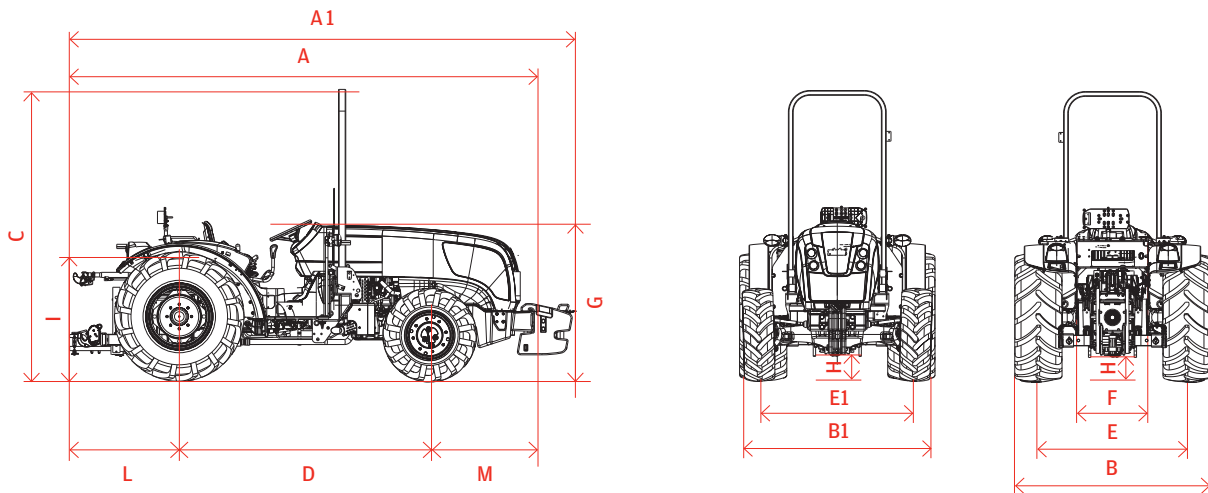


### **Control levers**

- › Perfectly integrated, the levers follow the tractor profile, preventing any risk of becoming tangled with vegetation.

# Agricube Dimensions and Weights

## Low Orchard



### Dimensions with 260 / 70R16 front tyre - 380 / 70R20 rear tyre

<b>A</b>	Total length	3,864 mm
<b>A1</b>	Total length with weights	4,172 mm
<b>B</b>	Max. and min. total rear measurement	1,868 mm / 1,418 mm
<b>B1</b>	Max. and min. total front measurement	1,672 mm / 1,556 mm
<b>C</b>	Height with raised roll bar	2,390 mm
<b>D</b>	Wheel base	2,074 mm
<b>E1</b>	Front track width	1,257 mm / 1,373 mm
<b>E</b>	Rear track width	1,024 mm / 1,474 mm
<b>F</b>	Mudguard internal width	600 mm
<b>G</b>	Maximum hood height	1,250 mm
<b>H</b>	Clearance from soil, front and rear	230 mm (fore) / 210 mm (rear)
<b>I</b>	Driver seat height	1,000 mm
<b>L</b>	Rear overhang	940 mm
<b>M</b>	Front overhang	856 mm
<b>Total weight</b>	Without driver and without weights	2,600 kg

# Agricube Technical Data

## Low Orchard

	80 FB	90 FB
<b>ENGINE</b>		
Engine manufacture	FPT	FPT
Engine name	F5C (EURO IIIA)	F5C (EURO IIIA)
Displacement	3,200 cm <sup>3</sup>	3,200 cm <sup>3</sup>
Number of cylinders / Configuration	4 turbo	4 turbo intercooler
Cooling system	Liquid cooled	Liquid cooled
Maximum power ISO kW/hp	55 / 74.8	65 / 88.4
PTO power ISO kW/hp	46 / 62	55 / 75
Rated engine speed	2,300	2,300
Maximum torque speed	1,250	1,300
Maximum torque	310 Nm @ 1,250 rpm	350 Nm @ 1,250 rpm
Torque rise	37%	36%
Fuel tank capacity	71 l	71 l
Fuel tank capacity with front PTO	52.3 l	52.3 l
Exhaust	Horizontal	Horizontal
Battery	100 Ah	100 Ah
Alternator	80 A	80 A
Engine start	4.2 kW	4.2 kW
<b>TRANSMISSION</b>		
24 + 24 24 front 24 rear	<b>Gear levers:</b> Lateral • <b>Gear box:</b> 4 gear synchro • <b>Range:</b> 3 gear range L/M/Hi • <b>HI-LO:</b> mechanical • <b>Reverser:</b> mechanical <b>Minimum tractor speed:</b> 0.5 km/h with 24" rear tyre <b>Maximum tractor speed:</b> 42 km/h with 24" rear tyre	
<b>MECHANICAL POWER TAKE-OFF SERVO CONTROLLED</b>		
Speed option (dry disk clutch)	540 / 540 E - 540 / 1,000	
Ground drive PTO	Option	
Speed indicator on dashboard	Base	
<b>CLUTCH</b>		
Dry independent with cerametallic double disk	11"	
<b>BRAKES</b>		
Control	Mechanical and hydraulic, 10 disks in oil bath	
<b>DIFFERENTIAL LOCK</b>		
Type	Mechanical	
Actuation	Electrohydraulic	
<b>FRONT AXLE</b>		
Maximum steering angle	52°	
Tilt angle	7°	
Flange distance	1,325 mm	
4WD actuation	Electrohydraulic	
Differential lock	Self-locking	

<b>REAR AXLE</b>	
Type	Epiciclic
Ratio	6:1
Flange distance	1,242 mm
<b>HYDRAULIC SYSTEM</b>	
Pump capacity (lt/min) - base	64.7 + 28.8
Distributors	Flow control + 1 SE/DE + 1 SE/DE floating
<b>REAR THREE POINT HITCH AND LIFT CAPACITY</b>	
Maximum lift capacity	2,400 kg
Lift	Mechanical with position, draft and mix control
Category	2/1/1N
Lower links	Quick coupling, adjustable
<b>FRONT THREE POINT HITCH AND LIFT CAPACITY / PTO</b>	
Maximum lift capacity	1,500 kg
PTO	1,100 rpm
<b>TOW HOOKS FOR ITALY</b>	
Pins (base), sliding (optional)	Category Cuna C (basic supply), Category Cuna C + D2 (optional)
<b>GANCI TRAINO EXPORT</b>	
Pins (base), sliding (optional)	Category EC
<b>FRONT WEIGHTS (ACCORDING TO TYPE OF TYRE * )</b>	
Option	4 elements × 30 kg (120 kg), 6 elements × 30 kg (180 kg)
Option	10 elements × 30 kg (300 kg), 12 elements × 30 kg (360 kg)
<b>DRIVER SEAT OOS</b>	
Platform	Suspended, soundproofed, on 4 silent blocks
Front rops	Front tiltable roll bar
Steering wheel	Fixed
Seat	Mechanical suspended seat in PVC
Mirror	LH Rearview mirror (base) RH Rearview mirror (option)
Dashboard	Multifunction
Operator's manual	English/Italian version

**\* OPTIONAL TYRE COMBINATION**

Front 280/70R16 - Rear 380/70R24

Front 280/70R16 - Rear 360/70R24

**Carraro Spa**

Via Olmo, 37  
35011 Campodarsego  
Italy  
T +39 049 9219111  
F +39 049 9289111

**Carraro Tractors  
Service & Support**

Viale del lavoro, 1  
45100 Rovigo  
Italy  
T +39 0425 403611  
F +39 0425 403674

**Carraro Tractors  
Sales & Engineering**

Via Trentino, 4/6  
35043 Monselice  
Italy  
T +39 0429 1709111  
F +39 049 9289271

[info@carrarotractors.com](mailto:info@carrarotractors.com)

The data contained on this print-out is for information only. The models described may be subject to alteration by the Manufacturer without notice.

Drawings and photographs may refer to optional equipment or fittings destined for different countries. Please contact our sales team for further information.