



**AGRICUBE**  
Tractors for Specialists

# Welcome Agricube!

Featuring an elegant design and a renewed style, the new Carraro Agricube Series range is presented to the specialised tractor market to meet the many demands of this sector. The new Agricube Series with FPT engines has been designed to blend the Performance, Quality, Trust features with the Versatility of its wide range of applications, from the vineyard to the open field. Its compact design and high choice of configurations coupled with the comfort offered by the modern ergonomic solutions, make Agricube the perfect tractor for all the various activities typical of specialistic sectors.







**Agricube**

Vineyard

Wide Vineyard

Orchard

Low Orchard

# Agricube

## Vineyard / Wide Vineyard / Orchard



### The range

- › New design and new contents: the Agricube Orchard / Wide Vineyard / Vineyard series is available with FPT F5C engines in powers of 72, 78 and 88 hp and with FPT NEF 100 hp
- › The three different axle widths, the availability of versions with cabin or platform, with tiltable front frame, the choice between the 2WD and 4WD versions, the wide range of transmissions and the options mix, all make this new series of tractors extremely versatile and well-suited to any needs
- › The availability of the option with built-in front power take-off and front lifter, Cat. II with lifting capacity of 1,300 kg, further enhances this range's great versatility
- › The entire range has a mechanical rear lift (basic version) and electronic rear lift with external lift control (optional extra). Both versions guarantee a lifting capacity of 26kN.

# Agricube Features

## Vineyard / Wide Vineyard / Orchard



### Motor

- › The elegant monobloc hood is easy to open and close and makes access for maintenance simple, blending style and practicality.



### Rear tow attachment and lifter

- › For the F and VL models a 30kN option is available, thanks to the use of an additional jack
- › The three-point hitch is available in the following configurations: with fixed, cat. 2 (F and VL) ball type lower links and 1 (V) adjustable ball type lower links, category 2/1/N (F and VL) and 1/1N (V) with adjustable quick couplers cat. 2/1/1N (F and VL) and 1/1N (V).



### Remote control electronic lift

- › The electronic lift's remote control, positioned on both rear fenders, facilitates handling of the rear lift
- › The practical mechanical command remote control is available for the mechanical lift.



### Hydraulic system

- › The hydraulic circuit capacity (86 l/min with two pumps in the basic configuration and 101 l/min with the three pump option), guarantees the capacity necessary to meet the highest technical working demands
- › Use of the lateral SCVs is comfortable and practical thanks to the easy access, with their position guaranteeing excellent visibility from the driving seat.



### **Compact**

- › Agricube completes the range of specialized tractors with the Vineyard version
- › Available with cabin or platform with tiltable front roll bar, its compact dimensions and ergonomic design allow Agricube Vineyard to meet all the demands of those forced to work in narrow spaces, without renouncing the comfort
- › The overall minimum width guarantees maximum manouvrability even in the most spatially demanding workplaces
- › Agricube Vineyard is available in 70 V and 80 V models, respectively produced with high-performance FPT F5C, 4 cylinder engines, with 72 and 78 hp turbo.





### Cabin

- › Available ventilated/heated (base) or heated/air-conditioned (option)
- › Soundproofed platform suspended on 4 silent blocks
- › The new cabin for special tractors has been designed to provide all the necessary comforts. It is the perfect answer for those who rightly demand to work in a comfortable, yet practical, environment
- › The range includes: cabin width 1,200 mm for Orchard and Wide Vineyard models, cabin width 1,000 mm for Vineyard models.



### Hydraulic system

- › Wide choice of distributor options for the specials range:
  - 2 DE distributors with 4 rear outputs push-pull, flow control on base plate for simultaneous action of distributor and lift
  - 3 DE distributors with 6 rear outputs push-pull, distributor flow control with 2 or 3 pumps
  - 3 DE distributors with 6 rear outputs, push-pull, distributor flow control and 4 side outputs, push-pull, distributor flow control with 2 or 3 pumps.



### Driving seat

- › Comfortable, ergonomic and practical, operations are made even easier by the intuitive controls
- › Every single Agricube detail has been designed to simplify use and make driving a more pleasurable experience.



### Details

- › Even the smallest detail has been developed to guarantee a compact, clear-cut, dynamic design: fundamental requirements for those working with specialised crops.

# Agricube Technical Data

## Vineyard

	70 V	80 V
<b>ENGINE</b>		
Engine manufacture	FPT	FPT
Engine name	F5C (EURO III A)	F5C (EURO III A)
Displacement	3,200 c <sup>3</sup>	3,200 c <sup>3</sup>
Number of cylinders/Configuration	4 turbo	4 turbo
Cooling system	Liquid cooled	Liquid cooled
Maximum power ISO kW/hp	53 / 72.1	55 / 74.8
PTO power ISO kW/hp	42 / 57	46 / 62
Rated engine speed	2,300	2,300
Maximum torque speed	1,250	1,250
Maximum torque	290 Nm @ 1,250 rpm	310 Nm @ 1,250 rpm
Torque rise	25%	37%
Fuel tank capacity	71 l	71 l
Fuel tank capacity with Front PTO	50 l	50 l
Auxiliary tank capacity (option, mandatory with Front PTO)	19 l	19 l
Exhaust	Horizontal	Horizontal
<b>ELECTRIC SYSTEM</b>		
Battery	100 Ah	100 Ah
Alternator	80 A	80 A
Engine start	4.2 kW	4.2 kW
<b>TRANSMISSION</b>		
12+12 12 front 12 rear	<b>Gear Levers:</b> lateral · <b>Gear Box:</b> 4 gear synchro <b>Range:</b> 3 gear range L / M / Hi collar shift · <b>Reverser:</b> mechanical <b>Minimum tractor speed:</b> 1.4 km/h with rear tyre 13.6R28 <b>Maximum tractor speed:</b> 30 km/h with rear tyre 13.6R28	
24+24 24 front 24 rear	<b>Gear Levers:</b> lateral · <b>Gear Box:</b> 4 gear synchro <b>Range:</b> 3 gear range L / M / Hi collar shift · <b>HI-LO:</b> mechanical · <b>Reverser:</b> mechanical <b>Minimum tractor speed:</b> 0.5 km/h with rear tyre 13.6R28 <b>Maximum tractor speed:</b> 40 km/h with rear tyre 13.6R28	
24+24 24 front 24 rear	<b>Gear Levers:</b> lateral · <b>Gear Box:</b> 4 gear synchro <b>Range:</b> 3 gear range L / M / Hi collar shift · <b>HI-LO:</b> electrohydraulic <b>Reverser:</b> mechanical · <b>Minimum tractor speed:</b> 0.5 km/h with rear tyre 13.6R28 <b>Maximum tractor speed:</b> 40 km/h with rear tyre 13.6R28	
24+12 24 front 12 rear	<b>Gear Levers:</b> lateral · <b>Gear Box:</b> 4 gear synchro <b>Range:</b> 3 gear range L / M / Hi collar shift · <b>HI-LO:</b> electrohydraulic <b>Reverser:</b> electrohydraulic · <b>Minimum tractor speed:</b> 0.5 km/h with rear tyre 13.6R28 <b>Maximum tractor speed:</b> 40 km/h with rear tyre 13.6R28	
<b>MECHANICAL POWER TAKE OFF</b>		
Speed option (dry disc clutch)	540 - 540/540 E - 540/1,000	
Ground drive PTO	Option	
Speed indicator on dashboard	Base	
<b>ELECTRO HYDRAULIC POWER TAKE OFF</b>		
Speed option (Wet disc clutch)	540 / 540 E - 540 / 1,000	
Ground drive PTO	Base	
Speed indicator on dashboard	Base	

<b>CLUTCH</b>		
Dry independent	11"	
<b>BRAKES</b>		
Brake actuation	Mechanical & Hydraulic integrated	
Brake configuration	Oil wet disk	
<b>REAR DIFFERENTIAL LOCK</b>		
Type	Mechanical	
Actuation	Electrohydraulic	
<b>FRONT AXLE</b>		
Maximum steering angle	55°	
Tilt angle	8°	
Flange distance	925 mm	
4WD actuation	Electrohydraulic	
Differential lock	Self-locking	
<b>REAR AXLE</b>		
Type	Epiciclic	
Ratio	6:1	
Flange distance	892 mm	
<b>HYDRAULIC SYSTEM</b>		
Pumps capacity (lt/min) with 2 pumps (base)	61.2 + 24.8	61.2 + 24.9
Pumps capacity (lt/min) with 3 pumps (option)	41.5 + 35 + 24.8	41.5 + 35 + 24.9
Distributors	1 SE + 1 DE 3 Pos / 1 SE + 1 DE 4 Pos with neutral simple return (4 rear exits), flow control for action	
<b>THREE POINT HITCH AND LIFT CAPACITY</b>		
Maximum lift capacity	2,600 kg	
Lift	Mechanical with position, draft, mix control (base) - Electronic (option)	
Three point hitch category	1/1N Cat.	
Lower links	Fixed, ball-type, Cat. 1 Adjustable, ball-type, Cat. 1/1N Quick coupling, adjustable, Cat. 1/1N	
<b>TOW HOOKS</b>		
Pins/Sliding	Category Cuna C (basic), Category Cuna C + D2 (optional)	
<b>FRONT WEIGHTS</b>		
Option	4 elements x 30 kg (120 kg)	
<b>DRIVER SEAT OOS</b>		
Platform	Suspended, insonorized on 4 silent blocks	
Front rops	Front tiltable roll bar	
Steering wheel	Fixed (base), Telescopic & tiltable (option)	
Seat	Mechanical suspended seat in Pvc (base), Pneumatic suspended seat in Pvc (option)	
Mirror	LH rearview mirror (base) - RH rearview mirror (option)	
Dashboard	Multifunction	
Operator's Manual	English/Italian version (base)	
<b>DRIVER SEAT CABIN VERSION</b>		
Cabin	Insonorised, on 4 silent block suspended, ventilated and heated version (base) Insonorised, on 4 silent block suspended, heated and air conditioning version (option)	
Steering wheel	Fixed (base), Telescopic & tiltable (option)	
Seat	Mechanical suspended seat in textile (base), Pneumatic suspended seat in textile (option)	
Mirror	2 external rearview mirrors LH & RH - 1 internal rear view (option)	
Dashboard	Multifunction	
Operator's Manual	English/Italian version (base)	

# Agricube Technical Data

## Wide Vineyard

	70 VL	80 VL	90 VL	100 VL
<b>ENGINE</b>				
Engine manufacture	FPT	FPT	FPT	FPT
Engine name	F5C (EURO III A)	F5C (EURO III A)	F5C (EURO III A)	NEF (EURO III A)
Displacement	3,200 c <sup>3</sup>	3,200 c <sup>3</sup>	3,200 c <sup>3</sup>	4,500 c <sup>3</sup>
Number of cylinders/Configuration	4 turbo	4 turbo	4 turbo intercooler	4 turbo intercooler
Cooling system	Liquid cooled	Liquid cooled	Liquid cooled	Liquid cooled
Maximum power ISO kW/hp	53 / 72.1	55 / 74.8	65 / 88.4	74 / 100.6
PTO power ISO kW/hp	42 / 57	46 / 62	55 / 75	63 / 86
Rated engine speed	2,300	2,300	2,300	2,200
Maximum torque speed	1,250	1,250	1,300	1,250
Maximum torque	290 Nm@1,250 rpm	310 Nm@1,250 rpm	350 Nm@1,300 rpm	430 Nm@1,250 rpm
Torque rise	25%	37%	36%	28%
Fuel tank capacity	71 l	71 l	71 l	71 l
Fuel tank capacity with Front PTO	50 l	50 l	50 l	50 l
Auxiliary tank capacity (option, mandatory with Front PTO)	19 l	19 l	19 l	19 l
Exhaust	Horizontal	Horizontal	Horizontal	Horizontal
<b>ELECTRIC SYSTEM</b>				
Battery	100 Ah	100 Ah	100 Ah	100 Ah
Alternator	80 A	80 A	80 A	90 A
Engine start	4.2 kW	4.2 kW	4.2 kW	4.2 kW
<b>TRANSMISSION</b>				
12+12 12 front 12 rear	<b>Gear Levers:</b> lateral · <b>Gear Box:</b> 4 gear synchro <b>Range:</b> 3 gear range L / M / Hi collar shift · <b>Reverser:</b> mechanical <b>Minimum tractor speed:</b> 1.5 km/h with rear tyre 14.9R28 <b>Maximum tractor speed:</b> 30 km/h with rear tyre 14.9R28			
24+24 24 front 24 rear	<b>Gear Levers:</b> lateral · <b>Gear Box:</b> 4 gear synchro <b>Range:</b> 3 gear range L / M / Hi collar shift · <b>HI-LO:</b> mechanical · <b>Reverser:</b> mechanical <b>Minimum tractor speed:</b> 0.5 km/h with rear tyre 14.9R28 <b>Maximum tractor speed:</b> 40 km/h with rear tyre 14.9R28			
24+24 24 front 24 rear	<b>Gear Levers:</b> lateral · <b>Gear Box:</b> 4 gear synchro <b>Range:</b> 3 gear range L / M / Hi collar shift · <b>HI-LO:</b> electrohydraulic <b>Reverser:</b> mechanical · <b>Minimum tractor speed:</b> 0.5 km/h with rear tyre 14.9R28 <b>Maximum tractor speed:</b> 40 km/h with rear tyre 14.9R28			
24+12 24 front 12 rear	<b>Gear Levers:</b> lateral · <b>Gear Box:</b> 4 gear synchro <b>Range:</b> 3 gear range L / M / Hi collar shift · <b>HI-LO:</b> electrohydraulic <b>Reverser:</b> electrohydraulic · <b>Minimum tractor speed:</b> 0.5 km/h with rear tyre 14.9R28 <b>Maximum tractor speed:</b> 40 km/h with rear tyre 14.9R28			
<b>MECHANICAL POWER TAKE OFF</b>				
Speed option (dry disc clutch)	540 - 540/540 E - 540/1,000			
Ground drive PTO	Option			
Speed indicator on dashboard	Base			
<b>ELECTRO HYDRAULIC POWER TAKE OFF</b>				
Speed option (Wet disc clutch)	540/540 E - 540/1,000			
Ground drive PTO	Base			
Speed indicator on dashboard	Base			

<b>CLUTCH</b>	
Dry independent	11"
<b>BRAKES</b>	
Brake actuation	Mechanical & Hydraulic integrated
Brake configuration	Oil wet disk
<b>REAR DIFFERENTIAL LOCK</b>	
Type	Mechanical
Actuation	Electrohydraulic
<b>FRONT AXLE</b>	
Maximum steering angle	54°
Tilt angle	8°
Flange distance	990 mm
4WD Actuation	Electrohydraulic
Differential lock	Self-locking
<b>REAR AXLE</b>	
Type	Epicyclic
Ratio	6:1
Flange distance	972 mm
<b>HYDRAULIC SYSTEM</b>	
Pumps capacity (lt/min)	<b>With 2 pumps (base):</b> 61.2 + 24.8 <b>With 3 pumps (option):</b> 41.5 + 35 + 24.8
Distributors	1 SE + 1 DE 3 Pos / 1 SE + 1 DE 4 Pos with neutral simple return (4 rear exits), flow control for simultaneous use of distributor and lift
<b>THREE POINT HITCH AND LIFT CAPACITY</b>	
Maximum lift capacity	2,600 kg (base) - 3,000 kg (option)
Lift	Mechanical with position, draft, mix control (base) - Electronic (option)
Three point hitch category	1/1N/2 Cat.
Lower links	Fixed, ball-type, Cat. 1 Adjustable, ball-type, Cat. 1/1N Quick coupling, adjustable, Cat. 1/1N
<b>TOW HOOKS</b>	
Pins/Sliding	Category Cuna C (basic), Category Cuna C + D2 (optional)
<b>FRONT WEIGHTS</b>	
Option	4 elements x 30 kg (120 kg) 6 elements x 30 kg (180 kg) 10 elements x 30 kg (300 kg)
<b>DRIVER SEAT OOS</b>	
Platform	Suspended, insonorized on 4 silent blocks
Front rops	Front tiltable roll bar
Steering wheel	Fixed (base), Telescopic & tiltable (option)
Seat	Mechanical suspended seat in Pvc (base), Pneumatic suspended seat in Pvc (option)
Mirror	LH Rearview mirror (base) - RH Rearview mirror (option)
Dashboard	Multifunction
Operator's Manual	English/Italian version (base)
<b>DRIVER SEAT CABIN VERSION</b>	
Cabin	Insonorised, on 4 silent block suspended, ventilated and heated version (base) Insonorised, on 4 silent block suspended, heated and air conditioning version (option)
Steering wheel	Fixed (base), Telescopic & tiltable (option)
Seat	Mechanical suspended seat in textile (base), Pneumatic suspended seat in textile (option)
Mirror	2 external rearview mirrors LH & RH - 1 internal rear view (option)
Dashboard	Multifunction
Operator's Manual	English/Italian version (base)

# Agricube Technical Data

## Orchard

	70 F	80 F	90 F	100 F
<b>ENGINE</b>				
Engine manufacture	FPT	FPT	FPT	FPT
Engine name	F5C (EURO III A)	F5C (EURO III A)	F5C (EURO III A)	NEF (EURO III A)
Displacement	3,200 c <sup>3</sup>	3,200 c <sup>3</sup>	3,200 c <sup>3</sup>	4,500 c <sup>3</sup>
Number of cylinders/Configuration	4 turbo	4 turbo	4 turbo intercooler	4 turbo intercooler
Cooling system	Liquid cooled	Liquid cooled	Liquid cooled	Liquid cooled
Maximum power ISO kW/hp	53 / 72.1	55 / 74.8	65 / 88.4	74 / 100.6
PTO power ISO kW/hp	42 / 57	46 / 62	55 / 75	63 / 86
Rated engine speed	2,300	2,300	2,300	2,200
Maximum torque speed	1,250	1,250	1,300	1,250
Maximum torque	290 Nm@1,250 rpm	310 Nm@1,250 rpm	350 Nm@1,300 rpm	430 Nm@1,250 rpm
Torque rise	25%	37%	36%	28%
Fuel tank capacity	71 l	71 l	71 l	71 l
Fuel tank capacity with Front PTO	50 l	50 l	50 l	50 l
Auxiliary tank capacity (option, mandatory with Front PTO)	19 l	19 l	19 l	19 l
Exhaust	Horizontal	Horizontal	Horizontal	Horizontal
<b>ELECTRIC SYSTEM</b>				
Battery	100 Ah	100 Ah	100 Ah	100 Ah
Alternator	80 A	80 A	80 A	90 A
Engine start	4.2 kW	4.2 kW	4.2 kW	4.2 kW
<b>TRANSMISSION</b>				
12+12 12 front 12 rear	<b>Gear Levers:</b> lateral · <b>Gear Box:</b> 4 gear synchro <b>Range:</b> 3 gear range L / M / Hi collar shift · <b>Reverser:</b> mechanical <b>Minimum tractor speed:</b> 1.5 km/h with rear tyre 14.9R28 <b>Maximum tractor speed:</b> 30 km/h with rear tyre 14.9R28			
24+24 24 front 24 rear	<b>Gear Levers:</b> Lateral · <b>Gear Box:</b> 4 gear synchro <b>Range:</b> 3 gear range L / M / Hi collar shift · <b>HI-LO:</b> mechanical · <b>Reverser:</b> mechanical <b>Minimum tractor speed:</b> 0.5 km/h with rear tyre 14.9R28 <b>Maximum tractor speed:</b> 40 km/h with rear tyre 14.9R28			
24+24 24 front 24 rear	<b>Gear Levers:</b> Lateral · <b>Gear Box:</b> 4 gear synchro <b>Range:</b> 3 gear range L / M / Hi collar shift · <b>HI-LO:</b> electrohydraulic <b>Reverser:</b> mechanical · <b>Minimum tractor speed:</b> 0.5 km/h with rear tyre 14.9R28 <b>Maximum tractor speed:</b> 40 km/h with rear tyre 14.9R28			
24+12 24 front 12 rear	<b>Gear Levers:</b> Lateral · <b>Gear Box:</b> 4 gear synchro <b>Range:</b> 3 gear range L / M / Hi collar shift · <b>HI-LO:</b> electrohydraulic <b>Reverser:</b> electrohydraulic · <b>Minimum tractor speed:</b> 0.5 km/h with rear tyre 14.9R28 <b>Maximum tractor speed:</b> 40 km/h with rear tyre 14.9R28			
<b>MECHANICAL POWER TAKE OFF</b>				
Speed option (dry disc clutch)	540 - 540/540 E - 540/1,000			
Ground drive PTO	Option			
Speed indicator on dashboard	Base			
<b>ELECTRO HYDRAULIC POWER TAKE OFF</b>				
Speed option (Wet disc clutch)	540/540 E - 540/1,000			
Ground drive PTO	Base			
Speed indicator on dashboard	Base			

<b>CLUTCH</b>	
Dry independent	11"
<b>BRAKES</b>	
Brake actuation	Mechanical & Hydraulic integrated
Brake configuration	Oil wet disk
<b>REAR DIFFERENTIAL LOCK</b>	
Type	Mechanical
Actuation	Electrohydraulic
<b>FRONT AXLE</b>	
Maximum steering angle	52°
Tilt angle	8°
Flange distance	1,325 mm
4WD actuation	Electrohydraulic
Differential lock	Self-locking
<b>REAR AXLE</b>	
Type	Epicyclic
Ratio	6:1
Flange distance	1,242 mm
<b>HYDRAULIC SYSTEM</b>	
Pumps capacity (lt/min)	<b>With 2 pumps (base):</b> 61.2 + 24.8 <b>With 3 pumps (option):</b> 41.5 + 35 + 24.8
Distributors	1 SE + 1 DE 3 Pos / 1 SE + 1 DE 4 Pos with neutral simple return (4 rear exits), flow control for simultaneous use of distributor and lift
<b>THREE POINT HITCH</b>	
Maximum lift capacity	2,600 kg (base) - 3,000 kg (option)
Lift	Mechanical with position, draft, mix control (base) - Electronic (option)
Three point hitch category	1/1N/2 Cat.
Lower links	Fixed, ball-type, Cat. 1 Adjustable, ball-type, Cat. 1/1N Quick coupling, adjustable, Cat. 1/1N
<b>TOW HOOKS</b>	
Pins/Sliding	Category Cuna C (basic), Category Cuna C + D2 (optional)
<b>FRONT WEIGHTS</b>	
Option	4 elements x 30 kg (120 kg) 6 elements x 30 kg (180 kg) 10 elements x 30 kg (300 kg)
<b>DRIVER SEAT OOS</b>	
Platform	Suspended, insonorized, on 4 silent blocks
Front rops	Front tiltable roll bar
Steering wheel	Fixed (base), Telescopic & tiltable (option)
Seat	Mechanical suspended seat in Pvc (base), Pneumatic suspended seat in Pvc (option)
Mirror	LH Rearview mirror (base) - RH Rearview mirror (option)
Dashboard	Multifunction
Operator's Manual	English/ Italian version (base)
<b>DRIVER SEAT CABIN VERSION</b>	
Cabin	Insonorised, on 4 silent block suspended, ventilated and heated version (base) Insonorised, on 4 silent block suspended, heated and air conditioning version (option)
Steering wheel	Fixed (base), Telescopic & tiltable (option)
Seat	Mechanical suspended seat in textile (base), Pneumatic suspended seat in textile (option)
Mirror	2 external rearview mirrors RH & LH
Dashboard	Multifunction
Operator's Manual	English/ Italian version (base)

# Agricube Measurements

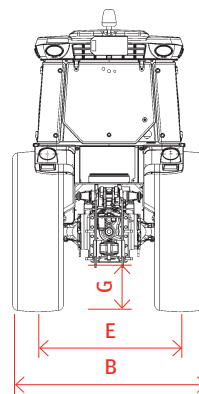
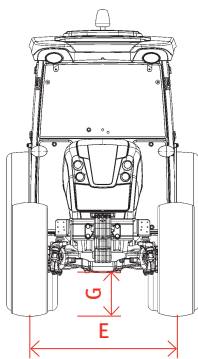
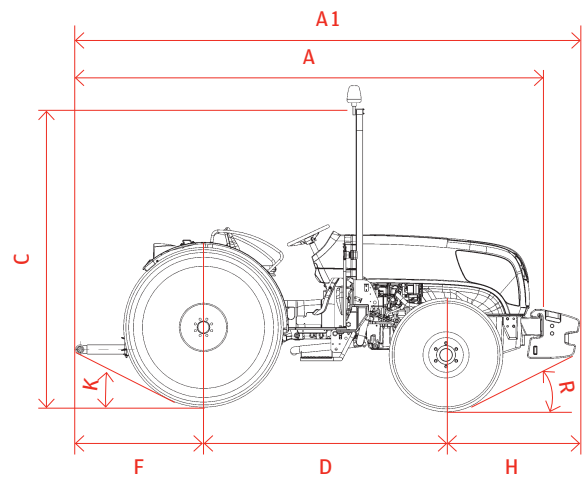
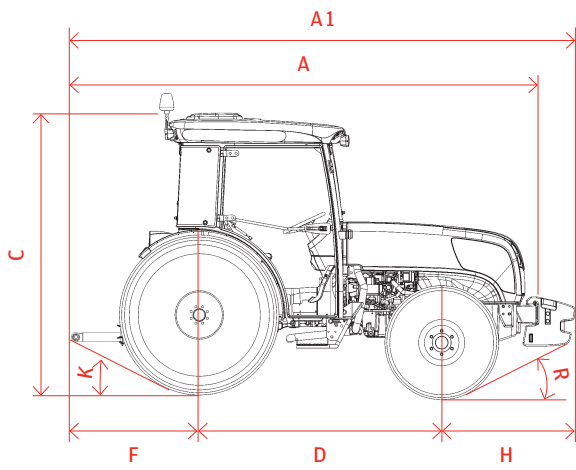
		Vineyard		Wide Vineyard		Orchard	
		CAB	OOS	CAB	OOS	CAB	OOS
<b>A *</b> (mm)	2 WD	3,991	3,991	3,991	3,991	3,991	3,991
	4 WD	3,991	3,991	3,991	3,991	3,991	3,991
<b>A 1 *</b> (mm)	2 WD	4,316	4,316	4,316	4,316	4,316	4,316
	4 WD	4,316	4,316	4,316	4,316	4,316	4,316
<b>B max</b> (mm)	2 WD	1,700	1,700	1,900	1,900	1,980	1,980
	4 WD	1,700	1,700	1,900	1,900	1,980	1,980
<b>C</b> (mm)	2 WD	2,335	2,482	2,385	2,533	2,385	2,533
	4 WD	2,335	2,482	2,385	2,533	2,385	2,533
<b>D *</b> (mm)	2 WD	2,098	2,098	2,098	2,098	2,098	2,098
	4 WD	2,098	2,098	2,098	2,098	2,074	2,074
<b>E front</b> (mm)	2 WD	776 ÷ 1,374	776 ÷ 1,374	776 ÷ 1,374	776 ÷ 1,374	997 ÷ 1,566	997 ÷ 1,566
	4 WD	822 ÷ 1,022	822 ÷ 1,022	846 ÷ 1,110	846 ÷ 1,110	997 ÷ 1,625	997 ÷ 1,625
<b>E rear</b> (mm)	2 WD	896 ÷ 1,296	896 ÷ 1,296	928 ÷ 1,376	928 ÷ 1,376	1,102 ÷ 1,646	1,102 ÷ 1,646
	4 WD	896 ÷ 1,296	896 ÷ 1,296	928 ÷ 1,376	928 ÷ 1,376	1,102 ÷ 1,646	1,102 ÷ 1,646
<b>F</b> (mm)	2 WD	1,060	1,060	1,060	1,060	1,060	1,060
	4 WD	1,060	1,060	1,060	1,060	1,060	1,060
<b>G</b> (mm)	2 RM	380 ant 355 post	380 ant 355 post	405 ant 330 post	405 ant 330 post	430 ant 355 post	430 ant 355 post
	4 RM	270 ant 295 post	270 ant 295 post	306 ant 355 post	306 ant 355 post	295 ant 355 post	295 ant 355 post
<b>H</b> (mm)	2 WD	1,158	1,158	1,158	1,158	1,158	1,158
	4 WD	1,158	1,158	1,158	1,158	1,182	1,182
<b>R</b>	2 WD	20°	20°	20°	20°	20°	20°
	4 WD	20°	20°	22°	22°	25° 30'	25° 30'
<b>K</b>	2 WD	22° 30'	22° 30'	24°	24°	24°	24°
	4 WD	22° 30'	22° 30'	24°	24°	24°	24°
<b>Front Tyres</b>	2 WD	7.50 ÷ R16	7.50 ÷ R16	7.50 ÷ R16	7.50 ÷ R16	7.50 ÷ R16	7.50 ÷ R16
	4 WD	7.50 ÷ R16	7.50 ÷ R16	280/70R18	280/70R18	320/70R20	320/70R20
<b>Rear Tyres</b>	2 WD	12.4R28 320/85R28	12.4R28 320/85R28	14.9R28 380/85R28	14.9R28 380/85R28	14.9R28 380/85R28	14.9R28 380/85R28
	4 WD	12.4R28 320/85R28	12.4R28 320/85R28	14.9R28 380/85R28	14.9R28 380/85R28	14.9R28 380/85R28	14.9R28 380/85R28
<b>Weight **</b> [w/o front weights]	2 WD	2,555 kg	2,340 kg	2,775 kg	2,540 kg	2,825 kg	2,590 kg
	4 WD	2,645 kg	2,430 kg	2,905 kg	2,670 kg	2,965 kg	2,730 kg

\* A, A 1, D with NEF motor: +87 mm / \*\* Weight with NEF motor: +70 kg



---

## Vineyard / Wide Vineyard / Orchard



# Agricube

## Low Orchard



- › The new Low Orchard joins the family of tractors with the Tre Cavallini Carraro trademark in its own right, further enlarging the already wide range of models: Vineyard, Wide Vineyard, Orchard and Light Utility.
- › Available with two different FPT engines, 80 HP or 90 HP, 4 turbo cylinders, 3,200 cc, this new agricultural tractor answers the needs of those who work in environments such as vineyards with hanging vine type cultivation, greenhouses, nut groves, olive groves and low trees in general.
- › With 4WD front axle and 24 Fw + 24 Rw power train with mechanical reverser and mechanical HI-LO, and Carraro synchronisation, the new Low Orchard tractor is available with 24" or 20" rear tyres.
- › In both versions, the maximum speed is 40 km/h, for full efficiency even when travelling between sites.

# Agricube Features

## Low Orchard



### Right side boarding

- › The particular care taken in the ergonomic design has created simple, unobstructed access to the driver seat, making climbing aboard the tractor and getting off both quick and easy.



### Driver seat

- › The ergonomics of the driver position and the tractor layout have been designed to the smallest detail to combine reliability and comfort with the special needs of the low driver seat, leaving the driver ample room for manoeuvring.

# Agricube Features

## Low Orchard



### **Dashboard and steering wheel**

- › The steering wheel is perfectly aligned with the hood, guaranteeing the low profile.
- › Excellent visibility of the display and access to the controls.



### **Control levers**

- › Perfectly integrated, the levers follow the tractor profile, preventing any risk of becoming tangled with vegetation.

# Agricube Technical Data

## Low Orchard

	80 FB	90 FB
<b>ENGINE</b>		
Engine manufacture	FPT	FPT
Engine name	F5C (EURO IIIA)	F5C (EURO IIIA)
Displacement	3,200 cm <sup>3</sup>	3,200 cm <sup>3</sup>
Number of cylinders / Configuration	4 turbo	4 turbo intercooler
Cooling system	Liquid cooled	Liquid cooled
Maximum power ISO kW/hp	55 / 74.8	65 / 88.4
PTO power ISO kW/hp	46 / 62	55 / 75
Rated engine speed	2,300	2,300
Maximum torque speed	1,250	1,300
Maximum torque	310 Nm @ 1,250 rpm	350 Nm @ 1,250 rpm
Torque rise	37%	36%
Fuel tank capacity	71 l	71 l
Fuel tank capacity with front PTO	52.3 l	52.3 l
Exhaust	Horizontal	Horizontal
Battery	100 Ah	100 Ah
Alternator	80 A	80 A
Engine start	4.2 kW	4.2 kW
<b>TRANSMISSION</b>		
24 + 24 24 front 24 rear	<b>Gear levers:</b> Lateral • <b>Gear box:</b> 4 gear synchro • <b>Range:</b> 3 gear range L/M/Hi • <b>HI-LO:</b> mechanical • <b>Reverser:</b> mechanical <b>Minimum tractor speed:</b> 0.5 km/h with 24" rear tyre <b>Maximum tractor speed:</b> 42 km/h with 24" rear tyre	
<b>MECHANICAL POWER TAKE-OFF SERVO CONTROLLED</b>		
Speed option (dry disk clutch)	540 / 540 E - 540 / 1,000	
Ground drive PTO	Option	
Speed indicator on dashboard	Base	
<b>CLUTCH</b>		
Dry independent with cerametallic double disk	11"	
<b>BRAKES</b>		
Control	Mechanical and hydraulic, 10 disks in oil bath	
<b>DIFFERENTIAL LOCK</b>		
Type	Mechanical	
Actuation	Electrohydraulic	
<b>FRONT AXLE</b>		
Maximum steering angle	52°	
Tilt angle	7°	
Flange distance	1,325 mm	
4WD actuation	Electrohydraulic	
Differential lock	Self-locking	

<b>REAR AXLE</b>	
Type	Epiciclic
Ratio	6:1
Flange distance	1,242 mm
<b>HYDRAULIC SYSTEM</b>	
Pump capacity (lt/min) - base	64.7 + 28.8
Distributors	Flow control + 1 SE/DE + 1 SE/DE floating
<b>REAR THREE POINT HITCH AND LIFT CAPACITY</b>	
Maximum lift capacity	2,400 kg
Lift	Mechanical with position, draft and mix control
Category	2/1/1N
Lower links	Quick coupling, adjustable
<b>FRONT THREE POINT HITCH AND LIFT CAPACITY / PTO</b>	
Maximum lift capacity	1,500 kg
PTO	1,100 rpm
<b>TOW HOOKS FOR ITALY</b>	
Pins (base), sliding (optional)	Category Cuna C (basic supply), Category Cuna C + D2 (optional)
<b>GANCI TRAINO EXPORT</b>	
Pins (base), sliding (optional)	Category EC
<b>FRONT WEIGHTS (ACCORDING TO TYPE OF TYRE * )</b>	
Option	4 elements × 30 kg (120 kg), 6 elements × 30 kg (180 kg)
Option	10 elements × 30 kg (300 kg), 12 elements × 30 kg (360 kg)
<b>DRIVER SEAT OOS</b>	
Platform	Suspended, soundproofed, on 4 silent blocks
Front rops	Front tiltable roll bar
Steering wheel	Fixed
Seat	Mechanical suspended seat in PVC
Mirror	LH Rearview mirror (base) RH Rearview mirror (option)
Dashboard	Multifunction
Operator's manual	English/Italian version

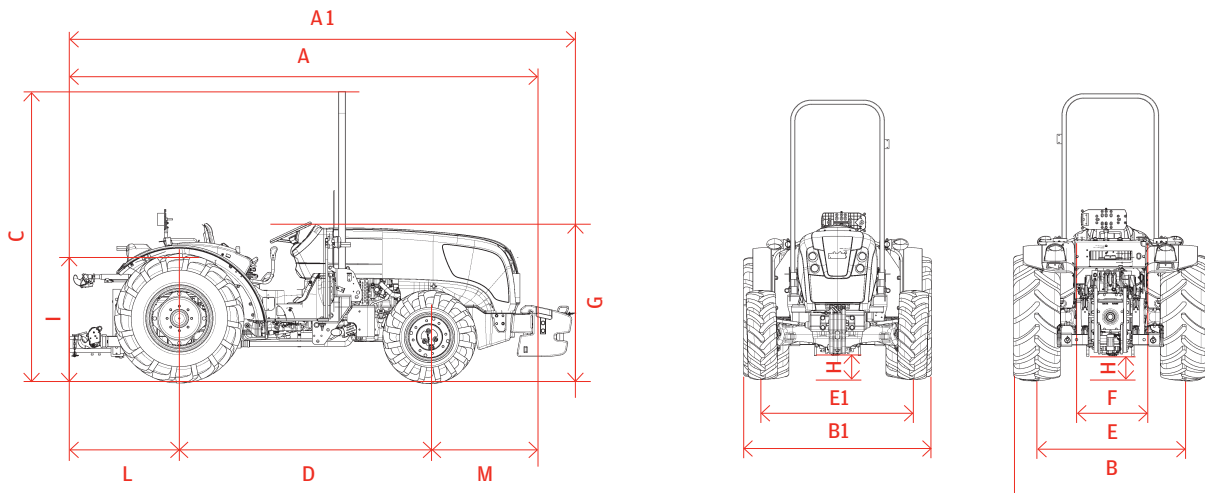
**\* OPTIONAL TYRE COMBINATION**

Front 280/70R16 - Rear 380/70R24

Front 280/70R16 - Rear 360/70R24

# Agricube Dimensions and Weights

## Low Orchard



### Dimensions with 260 / 70R16 front tyre - 380 / 70R20 rear tyre

<b>A</b>	Total length	3,864 mm
<b>A1</b>	Total length with weights	4,172 mm
<b>B</b>	Max. and min. total rear measurement	1,868 mm / 1,418 mm
<b>B1</b>	Max. and min. total front measurement	1,672 mm / 1,556 mm
<b>C</b>	Height with raised roll bar	2,390 mm
<b>D</b>	Wheel base	2,074 mm
<b>E1</b>	Front track width	1,257 mm / 1,373 mm
<b>E</b>	Rear track width	1,024 mm / 1,474 mm
<b>F</b>	Mudguard internal width	600 mm
<b>G</b>	Maximum hood height	1,250 mm
<b>H</b>	Clearance from soil, front and rear	230 mm (fore) / 210 mm (rear)
<b>I</b>	Driver seat height	1,000 mm
<b>L</b>	Rear overhang	940 mm
<b>M</b>	Front overhang	856 mm
<b>Total weight</b>	Without driver and without weights	2,600 kg



**Carraro Spa**

Via Olmo, 37  
35011 Campodarsego  
Italy  
T +39 049 9219111  
F +39 049 9289111

**Carraro Tractors  
Service & Support**

Viale del lavoro, 1  
45100 Rovigo  
Italy  
T +39 0425 403611  
F +39 0425 403674

**Carraro Tractors  
Sales & Engineering**

Via Trentino, 4/6  
35043 Monselice  
Italy  
T +39 0429 1709111  
F +39 049 9289271

[info@carrarotracors.com](mailto:info@carrarotracors.com)

The data contained on this print-out is for information only. The models described may be subject to alteration by the Manufacturer without notice.

Drawings and photographs may refer to optional equipment or fittings destined for different countries. Please contact our sales team for further information.